

## CXL 225-450C

### Unity Gain, Broad-Banded Base Station Antenna for 225 - 450 MHz

- CXL 225-450C is a 0 dBd gain, omnidirectional base station antenna.
- The antenna is extremely broad-banded and covers the complete band: 225 - 450 MHz.

#### DESCRIPTION

- CXL 225-450C is designed for fixation on supporting tubes with outer diameter between 27 mm and 65 mm.
- The construction of the mount makes it possible to lead the cable either inside or along the outside of the mast tube.
- A glass fibre tube completely encloses the carefully designed radiating element to ensure long dependable service in all climates.
- Atmospheric discharges are immediately led to ground as all metal parts are DC-grounded (consequently, the antenna shows a DC-short across the coaxial cable).
- This antenna is used where reliability is of utmost importance. A long lifetime has been taken into consideration when designing this antenna - it is sturdy and strong.



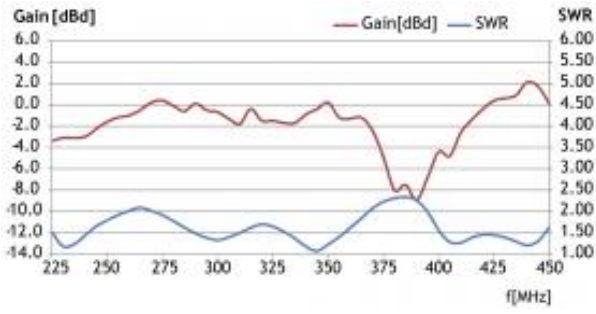
#### ORDERING DESIGNATIONS

TYPE	PRODUCT NO.
CXL 225-450C	10000088

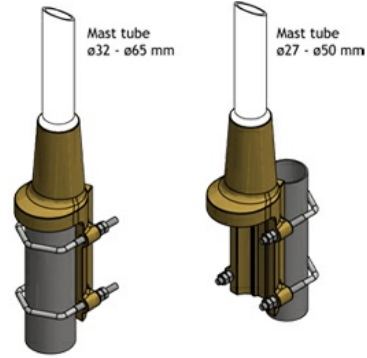
#### SPECIFICATIONS

ELECTRICAL	
MODEL	CXL 225-450C
ANTENNA TYPE	Coaxial, broad-band dipole
FREQUENCY	Covering: 225 - 450 MHz
IMPEDANCE	Nom. 50 Ω
RADIATION	Omnidirectional
POLARIZATION	Vertical
GAIN	0 dBd (see curve)
BANDWIDTH	225 MHz
SWR	≤ 2.5, typ. ≤ 2.0
MAX. POWER	200 W
ANTISTATIC PROTECTION	All metal parts DC-grounded (Connector shows a DC-short)
HCM CODE	HCM000ND00, 040DE00
MECHANICAL	
TEMP. RANGE	-30° C → +70° C
CONNECTOR	N-female
WIND SURFACE	0.056 m <sup>2</sup>
WIND LOAD	85 N @ 175 km/h / 109 mph
MAX. WIND SPEED	200 km/h / 125 mph
COLOUR	Marine white
MATERIALS	Radome : Polyurethane-coated glass fibre Mounting bracket: Seawater resistant aluminium, epoxy-coated
TOTAL HEIGHT	Approx. 1.20 m
WEIGHT	Approx. 3.0 kg
MOUNTING	On 27 - 65 mm dia. mast tube

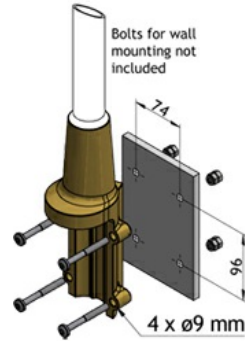
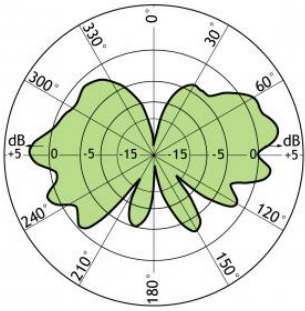
TYPICAL GAIN AND SWR CURVES



MULTI-PURPOSE MOUNTING BRACKET



TYPICAL RADIATION PATTERN (E-PLANE)



TYPICAL RADIATION PATTERN (H-PLANE)

